



## ATS-730E-M THERMOSTREAM®

**-90° to +225°C**

Advanced Temperature Source for fast and precise thermal conditioning of components, parts, hybrids, modules, subassemblies, and printed circuit boards. Capable of ultra-low temperatures **without** the use of Liquid Nitrogen (LN<sub>2</sub>) or Liquid Carbon Dioxide (LCO<sub>2</sub>).

### PERFORMANCE:

**Temperature Range\*** - No LN<sub>2</sub> or LCO<sub>2</sub> Required

-90 to +225°C

**Transition Rate\***

-55 to +125°C, approx. 10 seconds or less

125 to -55°C, approx. 10 seconds or less

**System Airflow Output\***

4 to 18scfm (1.9 to 8.5 l/s) Continuous

### TEMPERATURE CONTROL:

**Temperature Display & Resolution**

+/- 0.1°C

**Temperature Accuracy**

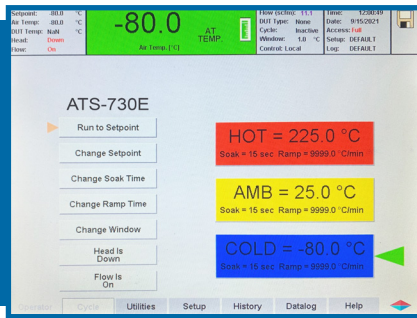
1.0°C (when calibrated against NIST standard)

**DUT Temperature Control**

Proprietary control algorithm enables DUT temperature to be directly controlled

**DUT Sensor Ports**

Internal Diode, Thermocouples (T & K), RTD (100 Ohm platinum), Digital DUT



### E Series Systems Equipped with Embedded Software Controls, Eliminating Windows® OS

- Significant reduction in security vulnerabilities
- Minimizes software and hardware obsolescence concerns
- Improved responsiveness of the touch screen
- Faster system boot and startup times

### FEATURES:

#### Frost Free Feature

Dry air purge for tester interface, prevents condensation: 0.5 to 3scfm (0.25 to 1.5 l/s)

#### ECO Friendly Features

- Automatic Power Reduction: reduces power usage during idle periods
- Heat Only Mode: reduces power usage when cold temperatures are not used

#### Heated Defrost Feature

Quickly removes moisture buildup from internal chiller

#### Fully Adjustable Thermal Head

- Embedded Control System
- Customizable and savable test setups
- Local & Remote Operations
- Datalog Storage (USB)
- Ethernet, IEEE-488, RS232 ports
- User Defined Temperature Limits

### APPLICATION OPTIONS:

#### Thermal Cap or FlexExtender Hose

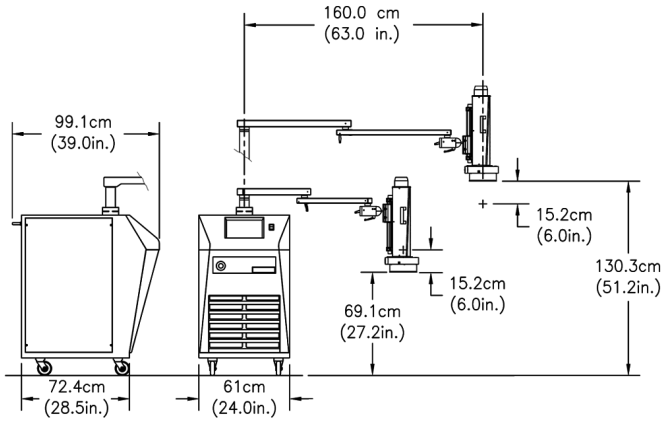
4.5 or 5.5 inch ID Thermal Cap or optional FlexExtender Hose for connection to external Thermal Chambers or enclosures

#### MobileTemp™ Thermal Chambers

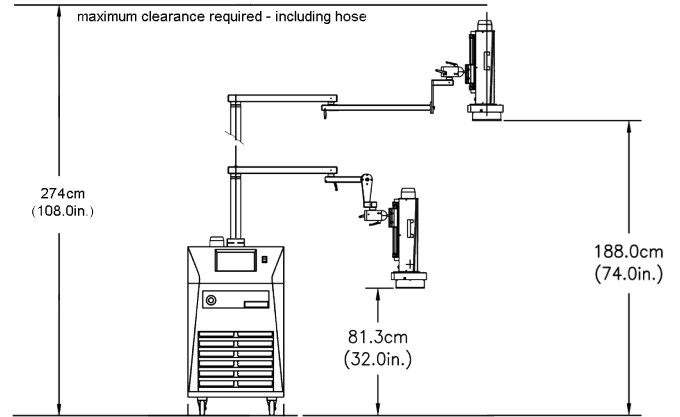
Temperature Chambers designed specifically for uses with ATS THERMOSTREAM® Systems. See Additional Datasheets for details.

*\*Under nominal operating conditions. Ultimate low: (±1°) achieved at 18scfm. Extended height derated 3 to 5°C*





**SYSTEM DIMENSIONS  
STANDARD**



**SYSTEM DIMENSIONS  
EXTENDED HEIGHT**

## FACILITY REQUIREMENTS

|  |  |
|--|--|
| Power <sup>1</sup>                       | 200 - 250 VAC (230V nominal), 50/60Hz, 30 amp, 1phase  |
| <b>COMPRESSED AIR<sup>2</sup></b>        |  |
| Clean, Dry Air (CDA)                     | Filtered to 5 micron particulate contamination.<br>Oil Content: <0.1 ppm, by weight, filtered to 0.01 micron oil contaminant.<br>Dewpoint: <10°C @ 6.2 BAR (90PSI) |
| Air Supply Pressure                      | 6.2 to 7.6 BAR (90 to 110 PSIG)  |
| Total Air Flow Rate Required             | 7.1 to 14.2 l/s (15-30 scfm), 11.8 l/s (25 scfm) nominal   |
| Air Supply Temperature                   | +20° to +25°C; +22°C nominal   |
| <b>OPERATING ENVIRONMENT<sup>2</sup></b> |  |
| Operating Temperature                    | +20° to +28°C; +23°C nominal   |
| Humidity                                 | 0 to 60%; 45% nominal  |

## WEIGHTS & DIMENSIONS

|                          |   |
|--------------------------|---|
| Base <sup>3</sup>        | Width: 61.0 cm (24 in.), Depth: 72.4 cm (28.5 in.), Height: 108 cm (42.5 in.) |
| System Weight            | Not packed: 236 kg (520 lbs.)<br>Packed: 365 kg (805 lbs.)                    |
| Mobility                 | Four static dissipative, swivel caster wheels                                 |
| Maximum Reach            | 160.0cm (63 in.)  |
| Maximum Operating Height | 130.3 cm (51.2 in.)<br>Extended height option: 188.0 (74.0 in.)               |
| Minimum Operating Height | 69.1 cm (27.2 in.)<br>Extended height option: 81.3 (32.0 in.)                 |
| Noise Level              | <65dBA  |

## SERVICE & SAFETY

|                             |  |
|-----------------------------|--|
| Refrigerants                | HCFC and CFC-free, non-toxic, non-flammable                                |
| Serviceability              | Auto-diagnostics and field replaceable modules                             |
| Over Temperature Protection | +230°C (factory set): Operator can set high and low air temperature limits |

<sup>1</sup>System is configured for operation within voltages listed above using an internal transformer. Please specify power configuration with order

<sup>2</sup>Under operating conditions which are greater or less than nominal, performance may be less than specification provided

<sup>3</sup>An additional 20.3cm (8 in.) clearance is required for supply connections and cabinet ventilation

