

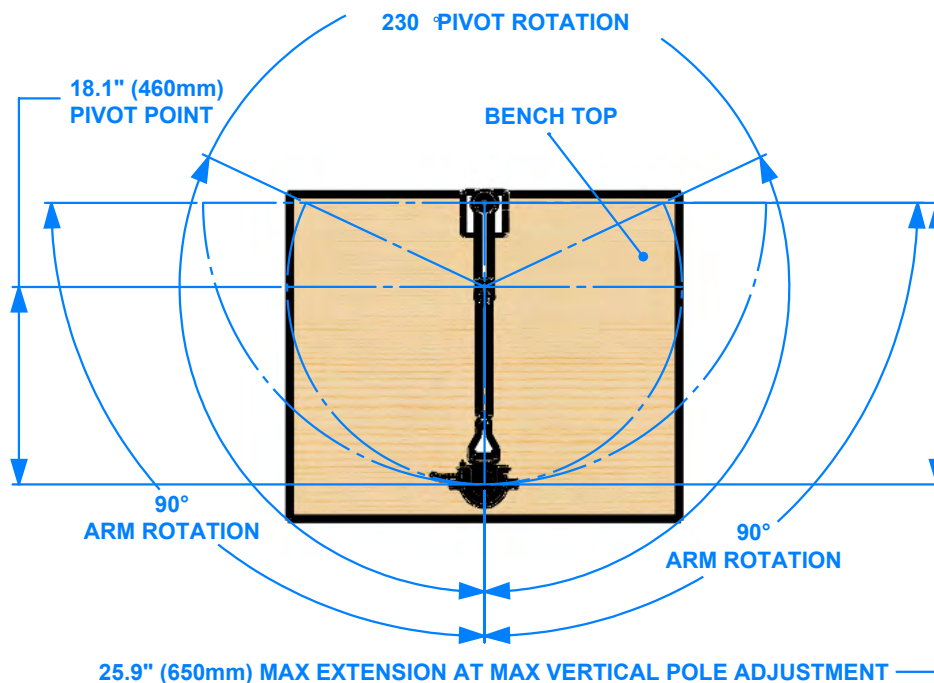
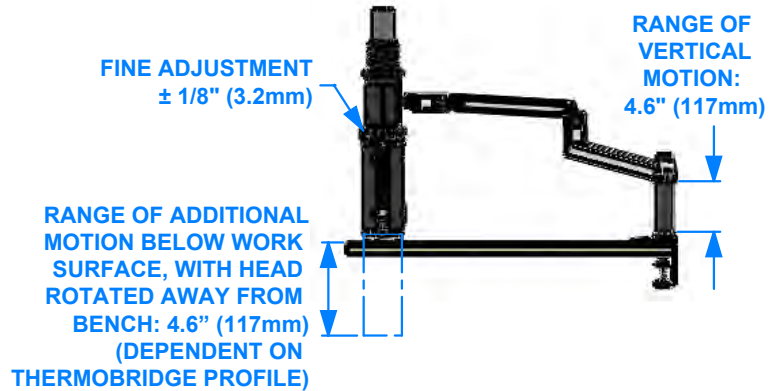
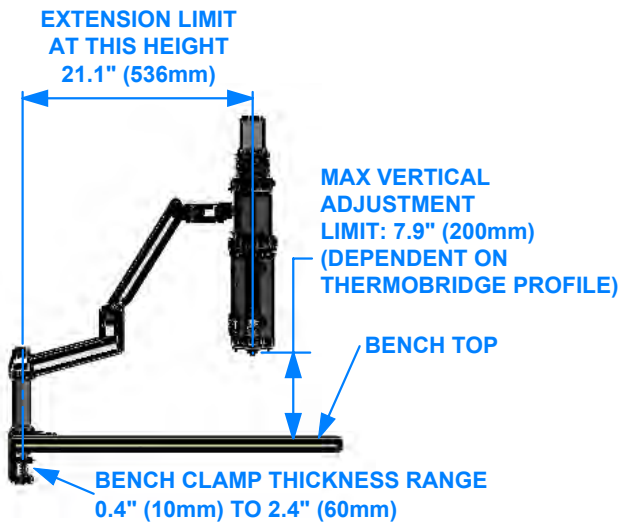
ThermoSpot® DCP Series Stands & Accessories

The ThermoSpot bench top temperature forcing systems provide a precisely controlled, conductive thermal source for IC/Device Under Test (DUT) characterization, test, and failure analysis. The systems are designed with a ThermoBridge™ to mate the thermal head directly to your IC/DUT.

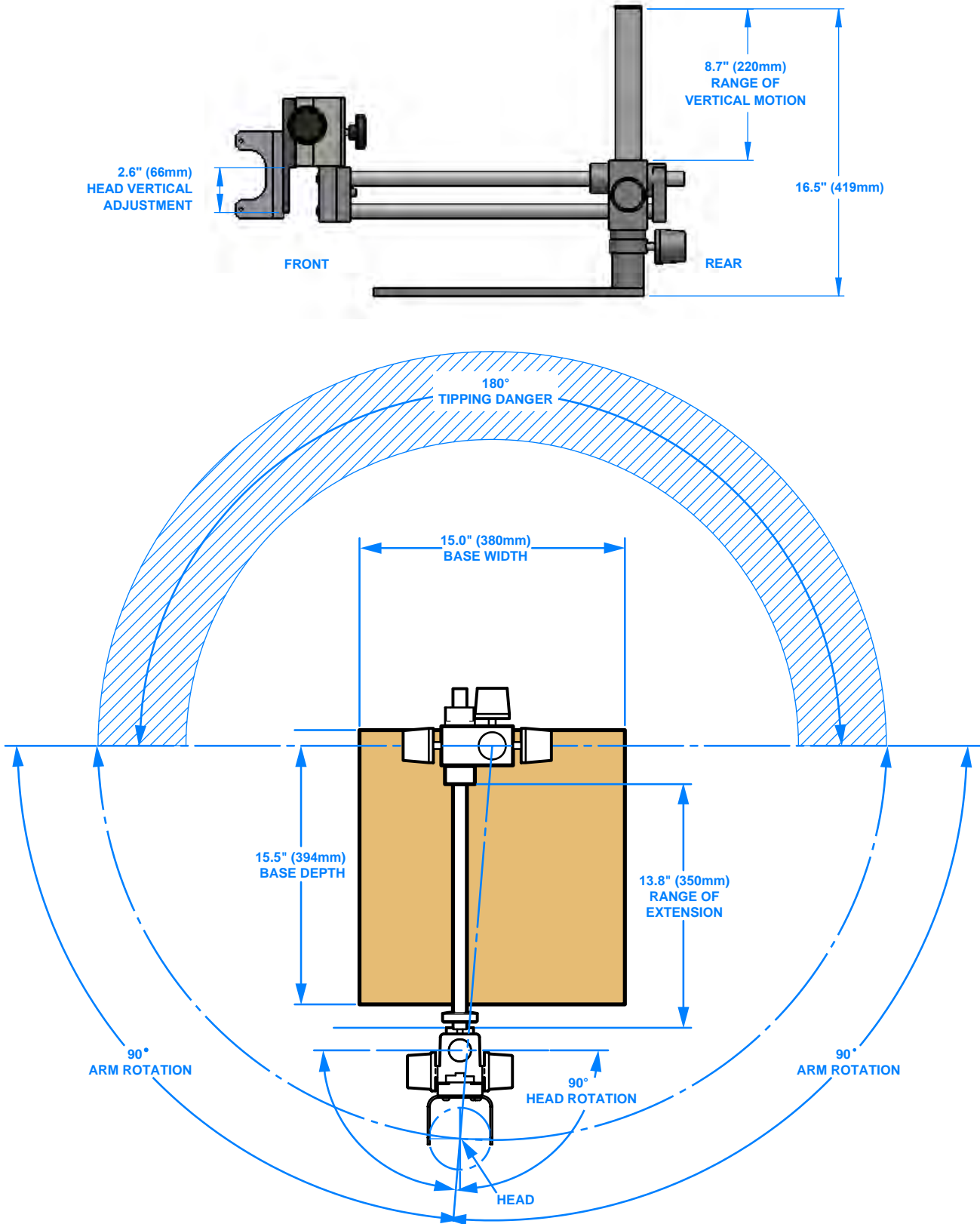
ThermoSpot Stands

Two optional stands are available for positioning the thermal head.

1. Bench Stand (SA218500): A free-motion arm allows manual positioning of the thermal head over the DUT. The stand is equipped with an adjustable clamp to secure to your bench top.



2. Boom Stand (SA214350): Heavyweight, steel stand provides precise X, Y, Z positioning of the thermal head along a vertical post and horizontal arm with 180° arm rotation, 90° head rotation, and 8.7" vertical motion.



DCP Series Accessories

Hose Management Kit

Supports the flexible umbilical in applications in which the full length is not needed.

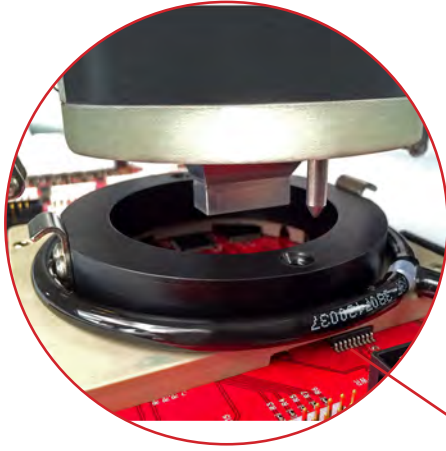
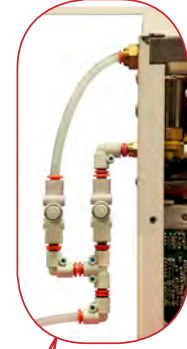
(P/N SA211220)



Air Purge Kit

Allows the provision of a Purge Dry Air Supply to both the AUX Purge and Probe Purge inlets, to ensure as frost-free a setup as possible.

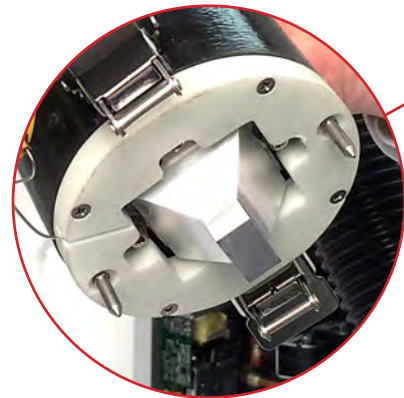
(P/N SA215280)



Alignment Fixture Kit

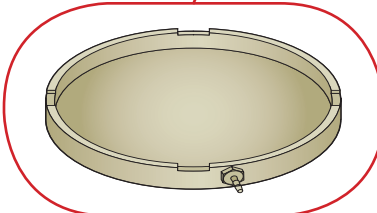
Provides quick and precise alignment of the Thermal Head and Thermobridge with the DUT Test Fixture.

(P/N SA211620)



ThermoBridge™

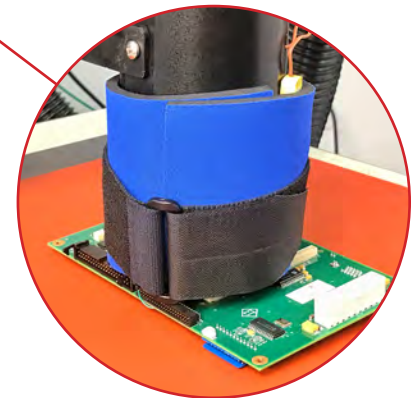
Interchangeable Nickel Plated Aluminum or Copper ThermoBridges mate directly to your IC/DUT, creating a highly efficient thermally conductive path to quickly induce temperatures to the DUT.



Backside Purge Cover Kit

Ensures that Purge Dry Air is delivered to the underside of the DUT Test Fixture.

(P/N SA211770)



Purge Collar Moisture Barrier

Provides a simple and efficient method for insuring that Purge Dry Air is contained and concentrated around the DUT.

(P/N SA215380)

Not Shown: Non-Conductive Pads

12", 18", or 36" sq. x
Thickness from 1/16 to 1/2"

The inTEST Thermal family includes three temperature-related corporations: Tempronic, Sigma Systems, and Thermonics. Products include thermal chambers and plates, temperature forcing systems, and process chillers. Specifications subject to change.